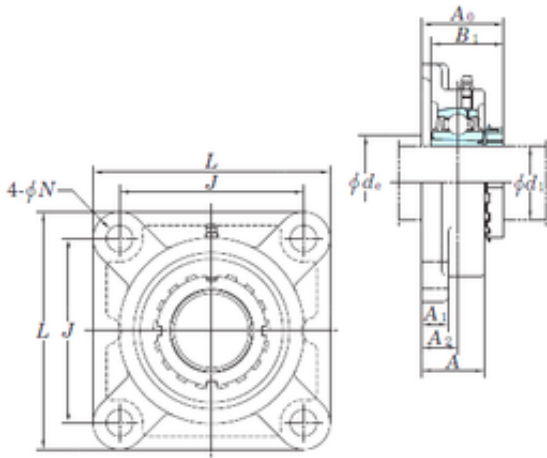




**KOYO UKF315 bearing units**



Bearing No. UKF315

Bore Diameter	65 mm
d	65 mm
A0	81,5 mm
A	66 mm
A1	25 mm
B1	73 mm
J	184 mm
L	236 mm
N	25 mm
Thread (G)	M22
A2	39 mm
Weight	11,7 Kg
Basic dynamic load rating (C)	113 kN
Basic static load rating (C0)	77,2 kN

UKF315 Bearing 2D drawings and 3D CAD models