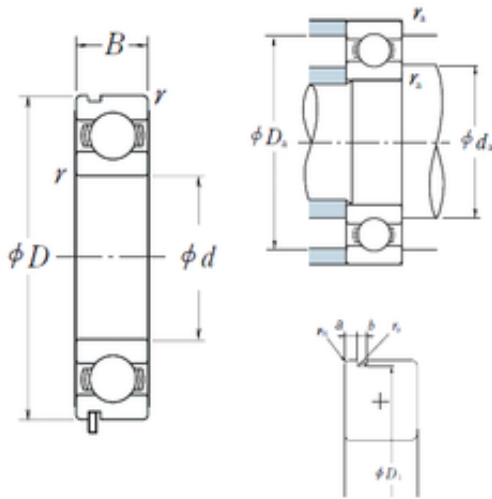




BEARING MANUFACTURING DE MEXICO, S.A.D...



12 mm x 37 mm x 12 mm NSK 6301N deep groove ball bearings

Bearing No. 6301N

6301N Bearing 2D drawings and 3D CAD models

Size	12x37x12 mm
Bore Diameter	12 mm
Outer Diameter	37 mm
Width	12 mm
d	12 mm
D	37 mm
B	12 mm
C	12 mm
rn	0,5 mm
a	2,06 mm
b	1,35 mm
r min.	1 mm
r0 max.	0,4 mm
D1	34,77 mm
da min.	17 mm
da max	18 mm
Da max.	32 mm
ra max.	1 mm
Weight	0,06 Kg
Basic dynamic load rating (C)	9,7 kN
Basic static load rating (C0)	4,2 kN
(Grease) Lubrication Speed	20 000 r/min
(Oil) Lubrication Speed	24 000 r/min
SRI	4.01
hidYobi	6301N



BEARING MANUFACTURING DE MEXICO,S.A.D...

LangID	1
ro	0.4
D_	37
SREX	0.04
B_	12
da min	17
hidTable	ecat_NSRDGB
Oil rpm	24000
SRE	4.21
mass	0.06
GRS rpm	20000
ra	1
SRIX	0.02
D_a	32
SRIN	0
C0	4.2
fo	11.1
SREN	0
DE_	32.438
Prod_Type3	DGBB_SR_N_OT
DA_	7.938
bomp	0
Z_	6
yobi	6301N
C_conv	9700
ALPHA_	0
SDM_	24.5
r	1
KBRG	6101
SBRG	3
DI_	16.562