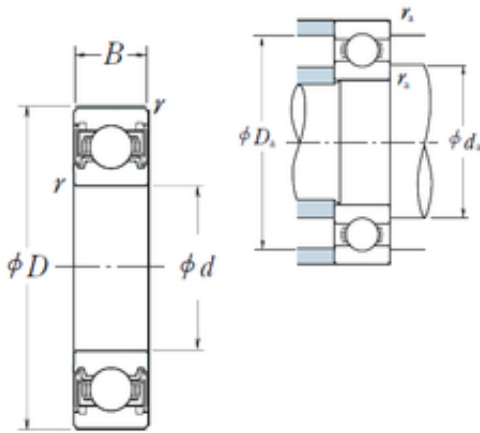




BEARING MANUFACTURING DE MEXICO, S.A.D...



65 mm x 140 mm x 33 mm NSK 6313VV deep groove ball bearings

Bearing No. 6313VV

6313VV Bearing 2D drawings and 3D CAD models

Size	65x140x33 mm
Bore Diameter	65 mm
Outer Diameter	140 mm
Width	33 mm
d	65 mm
D	140 mm
B	33 mm
C	33 mm
r min.	2,1 mm
da min.	76 mm
da max	85,5 mm
Da max.	129 mm
ra max.	2 mm
Weight	2,11 Kg
Basic dynamic load rating (C)	92,5 kN
Basic static load rating (C0)	60 kN
(Grease) Lubrication Speed	4 800 r/min
Category	Single Row Ball Bearings
Inventory	0.0
Manufacturer Name	NSK
Minimum Buy Quantity	N/A
Weight / Kilogram	2.25
EAN	0029176017346
Product Group	B00308
Enclosure	2 Seals



BEARING MANUFACTURING DE MEXICO, S.A.D...

Precision Class	ABEC 1 ISO P0
Maximum Capacity / Filling Slot	No
Rolling Element	Ball Bearing
Snap Ring	No
Internal Special Features	No
Cage Material	Steel
Enclosure Type	Non-Contact Seal
Internal Clearance	C0-Medium
Inch - Metric	Metric
Long Description	65MM Bore; 140MM Outside Diameter; 33MM Outer Race Diameter; 2 Seals; Ball Bearing; ABEC 1 ISO P0; No Filling Slot; No Snap Ring; No Internal Special Features
Category	Single Row Ball Bearing
UNSPSC	31171504
Harmonized Tariff Code	8482.10.50.68
Noun	Bearing
Keyword String	Ball
Manufacturer URL	http://www.nskamericas.com
Manufacturer Item Number	6313VV
Weight / LBS	2.25
Outside Diameter	5.512 Inch 140 Millimeter
Bore	2.559 Inch 65 Millimeter
Outer Race Width	1.299 Inch 33 Millimeter
bore diameter:	65 mm
dynamic load capacity:	21900 lbs
outside diameter:	140 mm
static load capacity:	13400 lbs
overall width:	33 mm
bearing material:	Steel



BEARING MANUFACTURING DE MEXICO,S.A.D...

bore type:	Round
maximum rpm (grease):	5600 rpm
closure type:	Two Non-Contact Seals
maximum rpm (oil):	6700 rpm
row type & fill slot:	Single Row Non-Fill Slot
manufacturer catalog:	Click here
snap ring included:	Without Snap Ring
manufacturer upc number:	029176017346
internal clearance:	C0
SRI	12.32
hidYobi	6313VV
LangID	1
D_	140
SREX	0.04
B_	33
da min	76
hidTable	ecat_NS RDGB
SRE	12.32
mass	2.11
GRS rpm	4800
ra	2
SRIX	0.04
D_a	129
SRIN	-0.04
C0	60
fo	13.2
SREN	-0.04
DE_	126.312
Prod_Type3	DGBB_SR_VV
DA_	23.812
bomp	0
Z_	8



BEARING MANUFACTURING DE MEXICO,S.A.D...

yobi	6313VV
C_conv	92500
ALPHA_	0
SDM_	102.5
r	2.1
KBRG	6151
SBRG	3
DI_	78.688