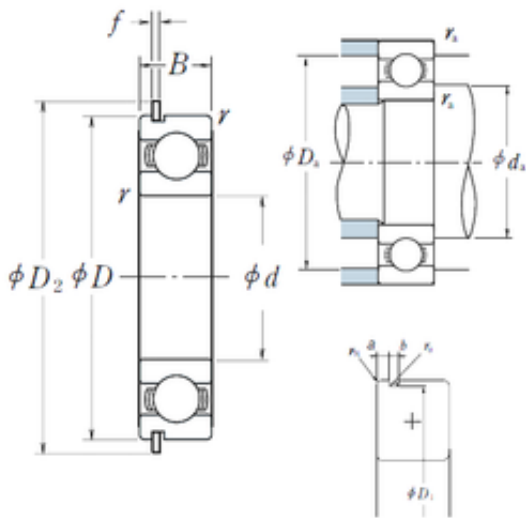




# BEARING MANUFACTURING DE MEXICO, S.A.D...



35 mm x 80 mm x 21 mm NSK 6307NR deep groove ball bearings

Bearing No. 6307NR

6307NR Bearing 2D drawings and 3D CAD models

Size	35x80x21 mm
Bore Diameter	35 mm
Outer Diameter	80 mm
Width	21 mm
d	35 mm
D	80 mm
B	21 mm
C	21 mm
rn	0,5 mm
a	3,28 mm
b	1,9 mm
f	1,7 mm
r min.	1,5 mm
r0 max.	0,6 mm
D1	76,81 mm
D2	86,6 mm
da min.	43 mm
da max	47 mm
Da max.	72 mm
ra max.	1,5 mm
Weight	0,464 Kg
Basic dynamic load rating (C)	33,5 kN
Basic static load rating (C0)	19,2 kN
(Grease) Lubrication Speed	8 500 r/min
(Oil) Lubrication Speed	10 000 r/min



## BEARING MANUFACTURING DE MEXICO, S.A.D...

Category	Single Row Ball Bearings
Inventory	0.0
Manufacturer Name	NSK
Minimum Buy Quantity	N/A
Weight / Kilogram	0.48
EAN	0029176024177
Product Group	B00308
Enclosure	Open
Precision Class	ABEC 1   ISO P0
Maximum Capacity / Filling Slot	No
Rolling Element	Ball Bearing
Snap Ring	Yes
Internal Special Features	No
Cage Material	Steel
Internal Clearance	C0-Medium
Inch - Metric	Metric
Long Description	35MM Bore; 80MM Outside Diameter; 21MM Outer Race Diameter; Open; Ball Bearing; ABEC 1   ISO P0; No Filling Slot; Yes Snap Ring; No Internal Special Features
Category	Single Row Ball Bearing
UNSPSC	31171504
Harmonized Tariff Code	8482.10.50.68
Noun	Bearing
Keyword String	Ball
Manufacturer URL	<a href="http://www.nskamericas.com">http://www.nskamericas.com</a>
Manufacturer Item Number	6307NR
Weight / LBS	0.46
Outside Diameter	3.15 Inch   80 Millimeter
Outer Race Width	0.827 Inch   21 Millimeter



## BEARING MANUFACTURING DE MEXICO,S.A.D...

Bore	1.378 Inch   35 Millimeter
bore diameter:	35 mm
dynamic load capacity:	33500 N
outside diameter:	80 mm
static load capacity:	19200 N
overall width:	21 mm
precision rating:	ABEC 1 (ISO Class Normal)
bore type:	Round
finish/coating:	Uncoated
closure type:	Open
cage material:	Steel
row type & fill slot:	Single Row Non-Fill Slot
outer ring width:	21 mm
snap ring included:	With Snap Ring
fillet radius:	1.5 mm
internal clearance:	C0
maximum rpm:	10000 RPM
operating temperature range:	Maximum of +250 ° F
series:	63
SRI	6.81
hidYobi	6307NR
LangID	1
ro	0.6
D_	80
SREX	0.05
B_	21
da min	43
hidTable	ecat_NS RDGB
Oil rpm	10000
SRE	7.15
Cy	4.6



## BEARING MANUFACTURING DE MEXICO,S.A.D...

mass	0.464
GRS rpm	8500
ra	1.5
SRIX	0.025
D_a	72
SRIN	0
C0	19.2
fo	13.2
SREN	0
DE_	71.494
Prod_Type3	DGBB_SR_NR_OT
DA_	13.494
bomp	0
Z_	8
yobi	6307NR
Dx	88
C_conv	33500
ALPHA_	0
SDM_	58
r	1.5
KBRG	6101
SBRG	3
DI_	44.506