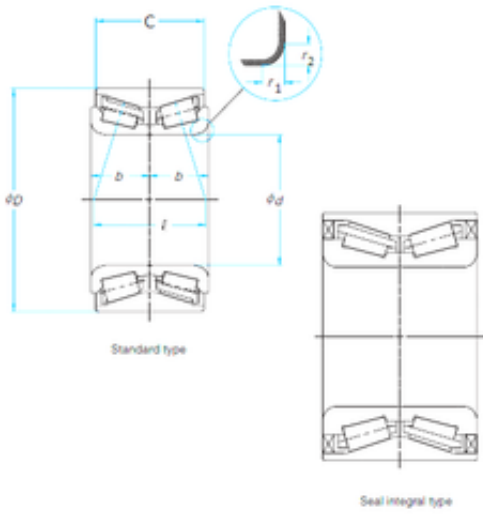




BEARING MANUFACTURING DE MEXICO, S.A.D...



36 mm x 64 mm x 42 mm NTN 4T-CR1-0787LLCS9#03 tapered roller bearings

Bearing No. 4T-CR1-0787LLCS9#03

Size	36x64x42 mm
Bore Diameter	36 mm
Outer Diameter	64 mm
Width	42 mm
d	36 mm
D	64 mm
B	42 mm
C	42 mm
Weight	0,582 Kg

4T-CR1-0787LLCS9#03 Bearing 2D drawings and 3D CAD models