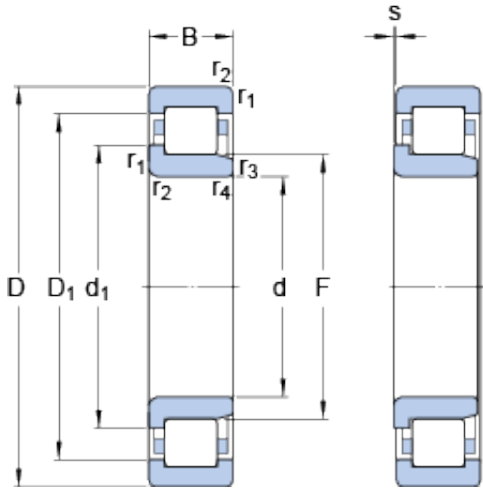




BEARING MANUFACTURING DE MEXICO, S.A.D...



180 mm x 320 mm x 52 mm SKF NJ 236 ECML thrust ball bearings

Bearing No. NJ 236 ECML

NJ 236 ECML Bearing 2D drawings and 3D CAD models

Size	320x180x52 mm
Bore Diameter	320 mm
Outer Diameter	180 mm
Width	52 mm
d	180 mm
D	320 mm
B	52 mm
d ₁	230 mm
D ₁	278.6 mm
F	217 mm
r _{1,2} - min.	4 mm
r _{3,4} - min.	4 mm
s	2.9 mm
d _a - min.	198 mm
d _a - max.	213 mm
d _b - min.	234 mm
D _a - max.	302.2 mm
r _a - max.	3 mm
Basic dynamic load rating - C	720 kN
Basic static load rating - C ₀	850 kN
Fatigue load limit - P _u	88 kN
Reference speed	2200 r/min
Limiting speed	3600 r/min
Calculation factor - k _r	0.23



BEARING MANUFACTURING DE MEXICO,S.A.D...

Category	Roller Bearings
Inventory	0.0
Manufacturer Name	SKF
Minimum Buy Quantity	N/A
Weight / Kilogram	0
Product Group	B04144
d_1	230 mm
D_1	278.6 mm
$r_{1,2}$ min.	4 mm
$r_{3,4}$ min.	4 mm
s max.	2.9 mm
d_a min.	198 mm
d_a max.	213 mm
d_b min.	234 mm
D_a max.	302.2 mm
r_a max.	3 mm
Basic dynamic load rating C	720 kN
Basic static load rating C_0	850 kN
Fatigue load limit P_u	88 kN
Calculation factor k_r	0.23
Limiting value e	0.2
Axial load factor Y	0.6
Mass bearing	18.5 kg