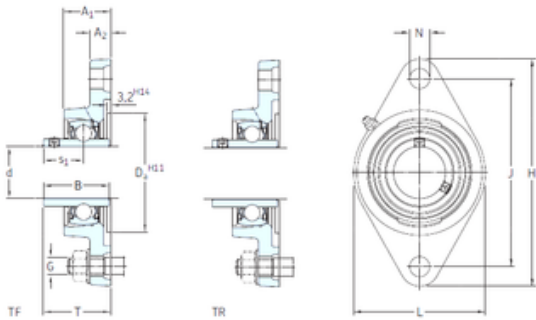




SKF FYTB 50 TR bearing units



Bearing No. FYTB 50 TR

Bore Diameter	50 mm
d	50 mm
Da	101,6 mm
s1	32,6 mm
A1	43 mm
B	51,6 mm
G	16 mm
H	189 mm
J	157 mm
L	116 mm
N	18 mm
T	60,6 mm
A2	15 mm
Weight	2,15 Kg
Basic dynamic load rating (C)	35,1 kN
Basic static load rating (C0)	23,2 kN
Fatigue load limit (Pu)	0,98
Category	Flange Block Bearings
Inventory	0.0
Manufacturer Name	SKF
Minimum Buy Quantity	N/A
Weight / Kilogram	2.15
Product Group	M06110
Number of Mounting Holes	2
Mounting Method	Set Screw
Housing Style	2 Bolt Flange Block

FYTB 50 TR Bearing 2D drawings and 3D CAD models



BEARING MANUFACTURING DE MEXICO,S.A.D...

Rolling Element	Ball Bearing
Housing Material	Cast Iron
Expansion / Non-expansion	Non-expansion
Mounting Bolts	16 Millimeter
Relubricatable	Yes
Insert Part Number	YAR 210-2RF
Seals	Multi Function Seal
Housing Configuration	1 Piece Solid
Pilot Configuration	No Pilot
Inch - Metric	Metric
Long Description	2 Bolt Flange Block; 50MM Bore; 157MM Bolt Circle; 157MM Bolt Spacing; 1 Piece Solid; Set Screw Mount; Cast Iron; Ball Bearing; 51.6MM Length Thru Bore; Relubricatable; Multi Function Seal Seals
Other Features	Single Row Standard Duty Wide Inner Race Open End Has Flinger Y Bearing
Category	Flange Block
UNSPSC	31171501
Harmonized Tariff Code	8483.20.40.40
Noun	Bearing
Keyword String	Flanged
Manufacturer URL	http://www.skf.com
Manufacturer Item Number	FYTB 50 TR
Weight / LBS	4.74
Length Thru Bore	2.031 Inch 51.6 Millimeter
Cartridge Pilot Depth	0 Inch 0 Millimeter
Bolt Spacing	6.181 Inch 157 Millimeter
Bore	1.969 Inch 50 Millimeter
Nominal Bolt Circle	6.2 Inch 157 Millimeter



BEARING MANUFACTURING DE MEXICO, S.A.D...

Diameter Round	
Cartridge Pilot Diameter	0 Inch 0 Millimeter
bore diameter:	50 mm
radial static load capacity:	23.2 kN
bolt center-to-center length:	157 mm
length through bore:	60.6 mm
overall length/diameter:	116 mm
finish/coating:	Uncoated
bore type:	Round
maximum rpm:	2200 RPM
mounting type:	Two-Bolt Flange
lubrication type:	Lubrication Fitting
housing material:	Cast Iron
series:	FYTB
locking device:	Set Screw
replacement bearing:	YAR 210-2RF
expansion type:	Non-Expansion Bearing (Fixed)
manufacturer upc number:	7316570701098
radial dynamic load capacity:	35.1 kN
Housing material	Cast iron
D_a	101.6 mm
D_{b1}	107 mm
D_{b2}	116 mm
A	43 mm
A_1	15 mm
A_3	3.2 mm
A_5	29.5 mm
B_4	9 mm
s_1	32.6 mm
R_G	1/4-28 UNF
R_1	28.5 mm



BEARING MANUFACTURING DE MEXICO,S.A.D...

R	45 °
D_N	6.5 mm
SW_N	7 mm
G_N	1/4-28 SAE-LT
J_6	127 mm
J_7	20 mm
N_4	2 mm
Basic dynamic load rating C	35.1 kN
Basic static load rating C_0	23.2 kN
Fatigue load limit P_u	0.98 kN
Limiting speed	2200 r/min
Mass bearing unit	2 kg
Thread grub screw G_2	M10x1
Hexagonal key size for grub screw N	5 mm
Recommended tightening torque for grub screw	16.5 N · m
Recommended diameter for attachment bolts, mm G	16 mm
Recommended diameter for attachment bolts, inch G	0.625 in