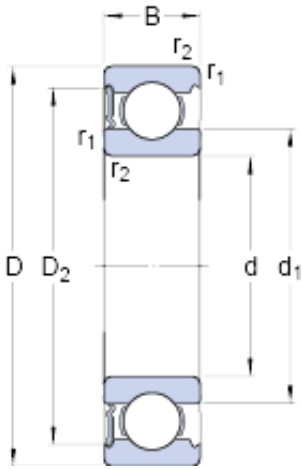




BEARING MANUFACTURING DE MEXICO, S.A.D...



120 mm x 215 mm x 40 mm SKF 6224-RS1 deep groove ball bearings

Bearing No. 6224-RS1

6224-RS1 Bearing 2D drawings and 3D CAD models

Size	215x120x40 mm
Bore Diameter	120 mm
Outer Diameter	215 mm
Width	40 mm
d	120 mm
D	215 mm
B	40 mm
d ₁	150.6 mm
D ₂	189.2 mm
r _{1,2} - min.	2.1 mm
d _a - min.	132 mm
d _a - max.	150 mm
D _a - max.	203 mm
r _a - max.	2 mm
Basic dynamic load rating - C	146 kN
Basic static load rating - C ₀	118 kN
Fatigue load limit - P _u	3.9 kN
Limiting speed	1900 r/min
Calculation factor - k _r	0.025
Calculation factor - f ₀	14
d ₁	150.6 mm
d ₂	118.1 mm
D ₂	189.2 mm
r _{1,2} min.	2.1 mm



BEARING MANUFACTURING DE MEXICO,S.A.D...

d_a min.	132 mm
d_a max.	150 mm
D_a max.	203 mm
r_a max.	2 mm
Basic dynamic load rating C	146 kN
Basic static load rating C_0	118 kN
Fatigue load limit P_u	3.9 kN
Calculation factor k_r	0.025
Calculation factor f_0	14.4
Mass bearing	5.3 kg