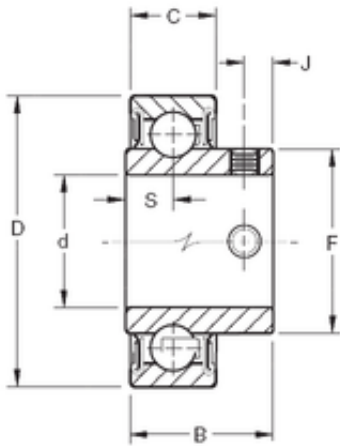




# BEARING MANUFACTURING DE MEXICO, S.A.D...



17 mm x 40 mm x 23,8 mm Timken YAE17RR deep groove ball bearings

Bearing No. YAE17RR

Size	17x40x23.8 mm
Bore Diameter	17 mm
Outer Diameter	40 mm
Width	23,8 mm
d	17 mm
D	40 mm
B	23,8 mm
C	13 mm
F	24,6 mm
J	4,75 mm
S	7,95 mm
Thread (G)	M5X0,8
Weight	0,09 Kg
Basic dynamic load rating (C)	10,6 kN

YAE17RR Bearing 2D drawings and 3D CAD models